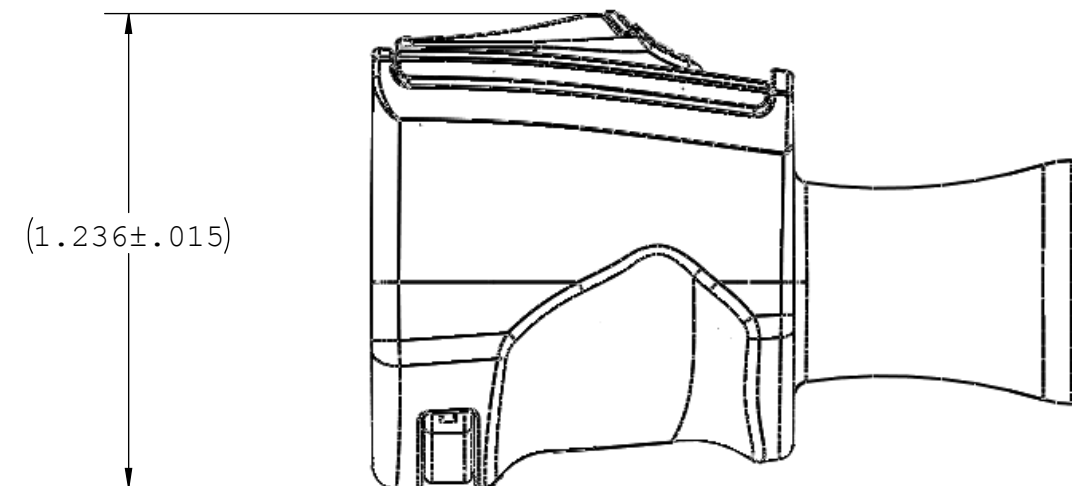
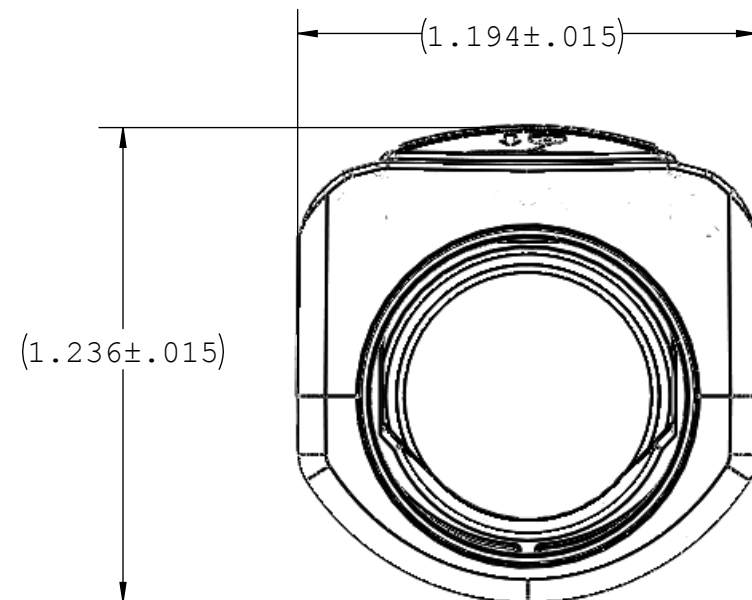
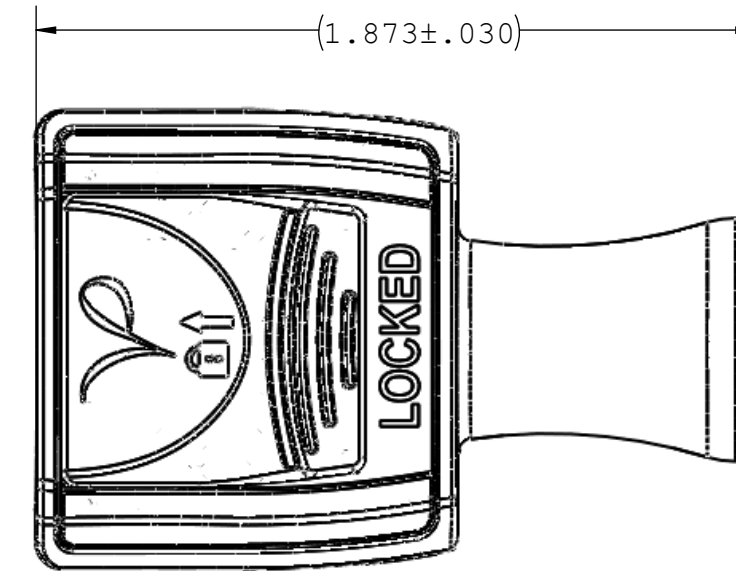
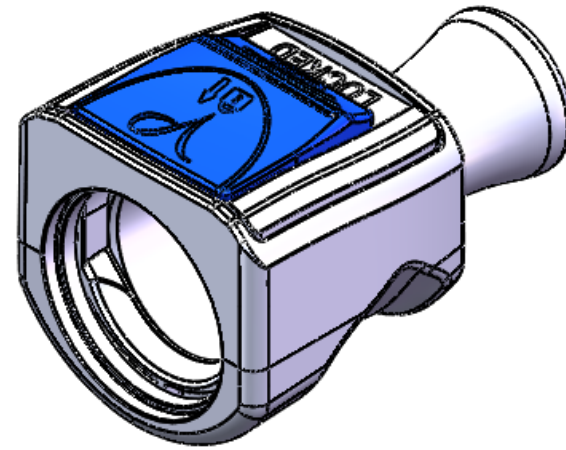


NOTES: FOR ADDITIONAL DETAILS, PLEASE CONTACT VP CUSTOMER SERVICE
 DIMENSIONS MARKED \square ARE CONTROL DIMENSIONS

REVISIONS			
REV.	DESCRIPTION	DATE	APPROVED
A1	INITIAL RELEASE FOR TOOLING	02-05-13	H.L



UNLESS OTHERWISE SPECIFIED DIMENSIONS ARE IN INCHES TOLERANCES ARE:		VALUE PLASTICS, INC			
FRACTIONS DECIMAL ANGULAR \pm .XX \pm .01 \pm 1° .XXX \pm .005 .XXXX \pm .001		PART NUMBER: RQXFLC			
DO NOT SCALE DRAWING		DESCRIPTION: RQX Series Female Plug			
DRAWN BY: Frank.Lombardi	DATE: 10/6/2014	SIZE: B	SCALE: NTS	VER: 	DWG. NO. 1033255
MANAGER: Huadong Lou		© 2013 VALUE PLASTICS, INC			REV A1
				SHEET:	1 OF 1

FOR REFERENCE ONLY